



STEALTH[®] 500

This plant is designed for smaller-sized jobs that require cubicle spec products from a highly portable crushing and screening plant on one chassis.

PRIMARY FEATURES

- 1 Easily transports in one pull. Check with your DOT.
 - » Two-deck inclined screen produces two cubical spec products.
 - » Top-deck retained material is returned to the crusher for further processing.
 - » Hydraulic lift and leveling system enables quick set up and tear down by using the hydraulic run-on legs.
- 2 Totally self-contained, all-electric power. You won't have to worry about hydraulic leaks and failures shutting you down.
 - » Features the industry's first LIFETIME ROTOR WARRANTY on its solid-steel, three-bar, sculptured rotor—the industry's heaviest—to keep you up and crushing.*

* North America only.

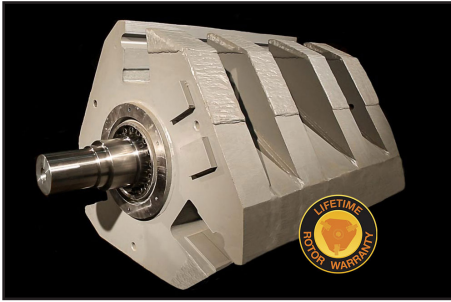


ADDITIONAL FEATURES

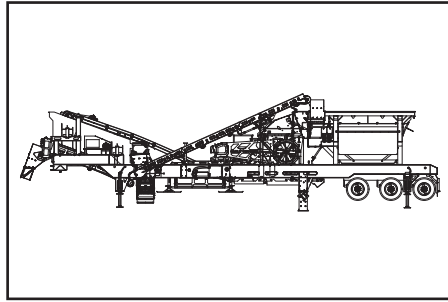
- » Features closed-circuit crushing and screening on one chassis.
- » Replaces Jaw/Cone/Screen multi-unit systems for a much lower initial investment while maintaining a high production of cubical spec product. Greatly reduces maintenance and fuel costs and is easily transported.
- » Features unique two-step, 5' grizzly deck to remove fines before crushing.
- » Features standard grizzly bypass chute and available cross-belt conveyor with flop gate to allow for either removal of the material that passes through the grizzly deck for stockpiling or blending back with the crushed material.
- » Includes removable electrical control panel featuring pre-wired receptacles for radial stackers.
- » Transports easily with the hydraulic retractable return conveyor.



STEALTH® 500



Solid-steel, three-bar, sculptured rotor with LIFETIME ROTOR WARRANTY, North America only.



Top-deck retained material is returned to the crusher for further processing.

STEALTH® 500 PORTABLE IMPACTOR PLANT TECHNICAL SPECIFICATIONS*

| Model | |
|---|--------------------------------------|
| Impactor | UM-05 |
| Operating Length | 63' 0" / 19.2M |
| Gross Weight | 85000 lbs / 38600kg |
| Travel Length | 60' 0" / 18.3M |
| Travel Width | 11' 11" / 3.6M |
| Travel Height | 13' 6" / 4.1M |
| Feed Hopper Capacity | 9yd ³ / 6.9M ³ |
| Feed Hopper Capacity (Tons) | 12.2T / 11.1MT |
| Vibrating Feeder | 16' x 32" / 4.9M x 0.8M |
| Feeder Grizzly Deck | 60" long 2 step / 1524mm 2 step |
| On-Plant Power Supply | 150HP / 112 kW all-electric power |
| Discharge Conveyor Width | 36" / 914mm |
| Two Deck Inclined Screen | 4' x 12' / 1.2M x 3.7M |
| Top Screen Deck Cross Conveyor Width | 18" / 457mm |
| Bottom Screen Deck Cross Conveyor Width | 18" / 457mm |
| Fines Screen Conveyor Width | 42" / 1067mm |
| Return Conveyor (Hydraulic Fold) Width | 18" / 457mm |

ULTRAMAX® IMPACTOR MODEL AND SPECIFICATIONS*

| Model | Diameter x Width | Width x Height | | Power Required (HP / kW) | Approx. Weight (lbs / kg) | Rotor Weight (lbs / kg) | Production Capacity** |
|-------|---------------------------------|--|---------------------|-----------------------------|------------------------------|----------------------------|-----------------------|
| | Rotor (Inches / Millimeters) | Feed Opening (Inches / Millimeters) | Width x Height | | | | |
| UM-05 | 40 x 33 / 1016 x 838 | 33 x 32 / 838 x 813 | 75 - 150 / 56 - 112 | 20900 / 9500 | 7000 / 3200 | Varies by application. | |

*Design specifications subject to change without notice.

**Contact your Eagle Sales Representative with your specific application for anticipated production capacity.

Call 800-25-EAGLE (800-253-2453) or visit www.EagleCrusher.com

525 South Market St., Galion, OH 44833 • 419-468-2288 • fax: 419-468-4840 • email: sales@eaglecrusher.com

Rev 03/2023

EAGLE CRUSHER®

©2023 Eagle Crusher Company, Inc.