



ULTRAMAX[®] 1200-CC WITH PRE-SCREEN FEEDER

This plant is designed for larger-sized jobs with high volumes of material at- or near-spec, allowing most to be removed before crushing, increasing overall production and reducing wear.

PRIMARY FEATURES

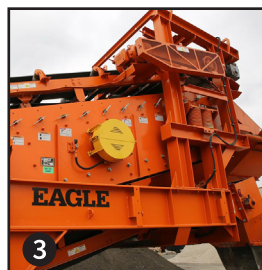
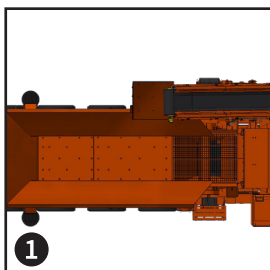
- 1 Integrated pre-screen feeder allows material at spec to be discharged before crushing, increasing production without increasing wear.
 - » Available in tri-axle or quad-axle version. Each features one-pull transport with optional rear tag axle. Check with your DOT.
 - » Hydraulic lift and leveling system enables quick set up and tear down by using the hydraulic run-on legs.
- 2 Totally self-contained, reliable diesel/ electric or all-electric power. You won't have to worry about hydraulic leaks and failures shutting you down.
 - » Top-deck retained material is returned to the crusher for further processing.
 - » Available in-line electro-magnet removes for transport.
- 3 Two-deck inclined screen produces two cubical spec products. Plant is also available with a twin-shaft screen option with third reliever deck.
 - » Features the industry's only LIFETIME ROTOR WARRANTY on its solid-steel, three-bar, sculptured rotor—the industry's heaviest—to keep you up and crushing.*

* North America only.



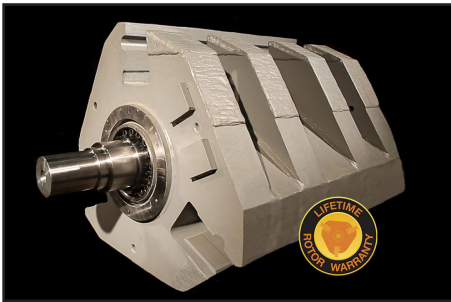
ADDITIONAL FEATURES

- » Features closed-circuit crushing and screening on one chassis.
- » Replaces Jaw/Cone/Screen multi-unit systems for a much lower initial investment while maintaining a high production of cubical spec product. Greatly reduces maintenance and fuel costs and is easily transported.
- » Includes removable electrical control panel featuring pre-wired receptacles for radial stackers.
- » Transports easily with the hydraulic retractable return conveyor and folding side conveyor.
- » Manage the feeder speed for complete control of the flow of material into the impactor and on return conveyor with Variable Frequency Drives (VFD).
- » Includes wireless remote control for the feeder shutdown and all motor stop.



ULTRAMAX® 1200-CC WITH PRE-SCREEN FEEDER

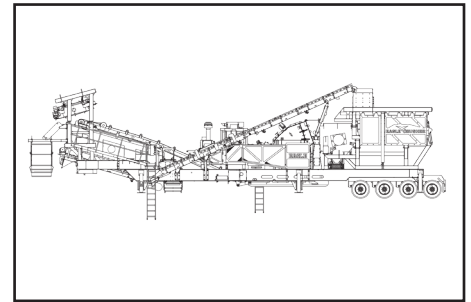
CC refers to a crushing/screening closed-circuit plant on one chassis.



Solid-steel, three-bar, sculptured rotor with LIFETIME ROTOR WARRANTY, North America only.



Top-deck retained material is returned to the crusher for further processing.



1200-25 CC PORTABLE IMPACTOR PLANT WITH PRE-SCREEN FEEDER TECHNICAL SPECIFICATIONS*

Model	
Impactor	UM-25
Operating Length	71'4" / 21.7M
Gross Weight	130000lbs / 59000kg
Travel Length	66'3" / 20.2M
Travel Width	11' 11.5" / 3.7M
Travel Height	13' 5.5" / 4.1M
Feed Hopper Capacity	12.5yd ³ / 9.5M ³
Feed Hopper Capacity (Tons)	16.9 T / 15.3 MT
Vibrating Feeder	11' x 45.5" / 3.4M x 1.2M
Scalping Screen	48" x 64" / 1.2M x 1.6M
On-Plant Power Supply Diesel	450HP / 330kW diesel engine and 140kW generator
On-Plant Power Supply Electric	250HP / 186kW all-electric power
Discharge Conveyor Width	42" / 1067mm
Two-Deck Inclined Screen (Third Reliever Deck Optional)	5' x 16' / 1.5M x 4.9M
Top Screen Deck Cross Conveyor Width	18" / 457mm
Bottom Screen Deck Cross Conveyor Width	24" / 610mm
Fines Screen Conveyor Width	42" / 1067mm
Return Conveyor (Hydraulic Fold) Width	24" / 610mm
Grizzly Discharge Conveyor	18" / 457mm

ULTRAMAX® IMPACTOR MODEL AND SPECIFICATIONS*

Model	Diameter x Width	Width x Height	Power Required (HP / kW)	Approx. Weight (lbs / kg)	Rotor Weight (lbs / kg)	Production Capacity**
	Rotor (Inches / Millimeters)	Feed Opening (Inches / Millimeters)				
UM-25	47 x 47 / 1194 x 1194	48 x 34 / 1219 x 864	150 - 300 / 112 - 224	34000 / 15400	13000 / 5900	Varies by application.

*Design specifications subject to change without notice.

**Contact your Eagle Sales Representative with your specific application for anticipated production capacity.

Call 800-25-EAGLE (800-253-2453) or visit www.EagleCrusher.com

P.O. Box 537, Galion, OH 44833 • 419-468-2288 • fax: 419-468-4840 • email: sales@eaglecrusher.com

Rev 09/2020



©2020 Eagle Crusher Company, Inc.