

# 3260 JAW

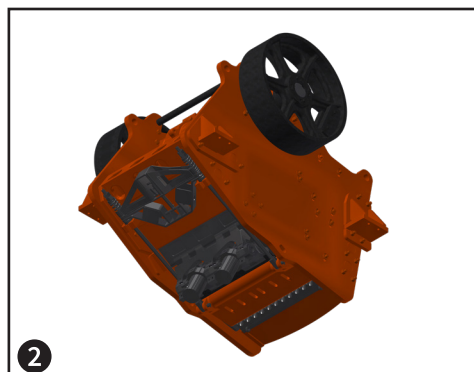
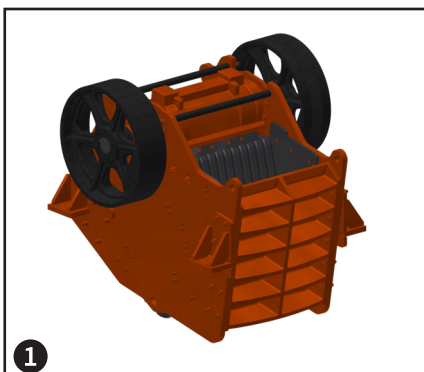
The Eagle 3260 portable jaw crusher is designed to crush reinforced slab concrete with ease, reducing material prep time for processing.

## **PRIMARY FEATURES**

- 1 Built to handle massive slabs of reinforced concrete with ease.
- » Pitman assembly can easily be removed for transport purposes.
- » Grizzly bypass chute allows for either removal of the material that passes the grizzly deck onto a conveyor for stockpiling or for blending with the crushed material.
- » Hydraulic lift and leveling system enables quick and easy set up and tear down.
- 2 Can be fitted with patent-pending hydraulic toggle system for quick jaw relief during tramp steel event.
- » Totally self-contained, reliable diesel/ electric or all-electric power.

## **ADDITIONAL FEATURES**

- » Hydraulic toggle system operates at much lower pressures than similar systems, allowing easier maintenance.
- » Hydraulically adjustable wedges allow changes to closed side setting quickly.
- » Includes removable electrical control panel featuring pre-wired receptacles for radial stackers.
- » Manage the feeder speed for complete control of the flow of material into the impactor with Variable Frequency Drive (VFD).
- » Includes wireless remote control for the feeder shutdown and all motor stop.



# 3260 JAW

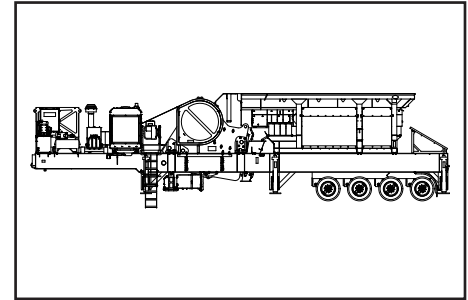
Eagle 3260 Portable Jaw Crusher



Hydraulic lift and leveling system enables quick and easy set up and tear down.



Grizzly bypass chute allows for either removal of the material that passes the grizzly deck onto a conveyor for stockpiling or for blending with the crushed material.



## 3260 EAGLE PORTABLE JAW CRUSHER TECHNICAL SPECIFICATIONS\*

Model	
Crusher	3260 Eagle
Operating Length	54' 6" / 16.6M
Gross Weight	149000lbs / 67585kg
Travel Length	54' 6" / 16.6M
Travel Height	13' 6" / 4.1M
Travel Width	11' 6" / 3.5M
Feed Hopper Capacity	22.5 yd <sup>3</sup> / 17.2 M <sup>3</sup>
Feed Hopper Capacity (Tons)	30.4 T / 27.6 MT
Vibrating Feeder	21' 6" x 57" / 6.6M x 1.4M
Feeder Grizzly Deck	60" long 2 step / 1524mm 2 step
On-Plant Power Supply – Diesel	415HP / 305kW diesel engine and 100kW generator or
On-Plant Power Supply – Electric	200HP / 147 kW all-electric power
Side-discharge conveyor width	60" / 1524mm
Discharge Conveyor Height – under head pulley	18' 4" / 5.5M

## JAW CRUSHER SPECIFICATIONS\*

Model	Weight (lbs / kg)	RPM	Eccentric Stroke (Inches / Millimeters)	Power Required (HP / kW)
3260	80500 / 36514	250	1.5 / 38	200 - 250 / 147 - 184

\*Design specifications subject to change without notice.

Call 800-25-EAGLE (800-253-2453) or visit [www.EagleCrusher.com](http://www.EagleCrusher.com)  
525 South Market St., Galion, OH 44833 • 419-468-2288 • fax: 419-468-4840 • email: [sales@eaglecrusher.com](mailto:sales@eaglecrusher.com)

Rev 07/2022

**EAGLE CRUSHER**<sup>®</sup>

©2022 Eagle Crusher Company, Inc.